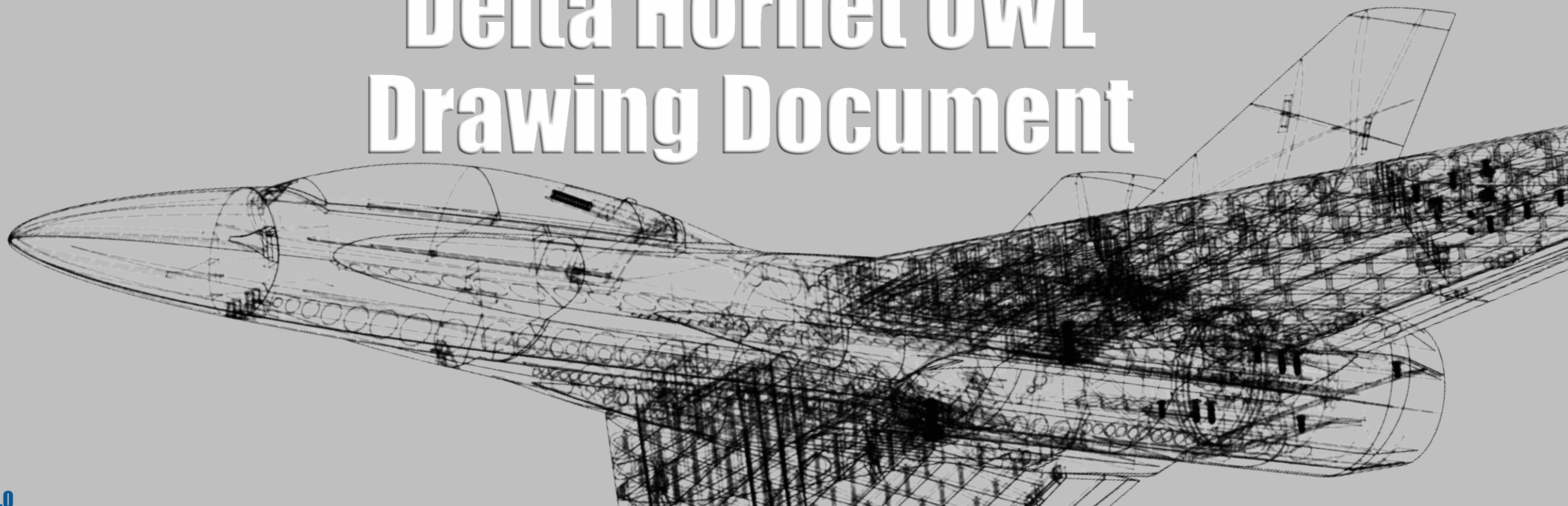


Delta Hornet OWL Drawing Document



Rev. 1.0

Table of Content

Delta Hornet OWL Drawings3

Fuselage Drawing.....4

Wing Drawing6

Stabilizer Drawing8

Canopy Drawing10

Delta Hornet OWL Drawings

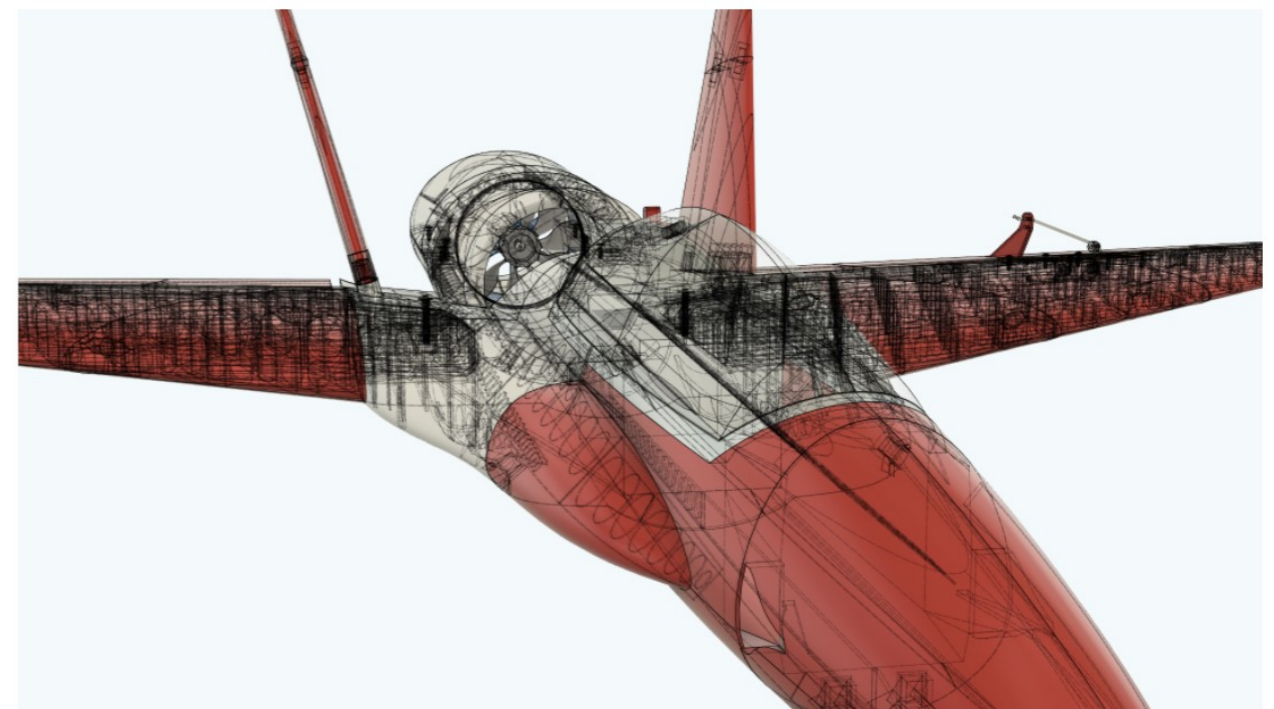
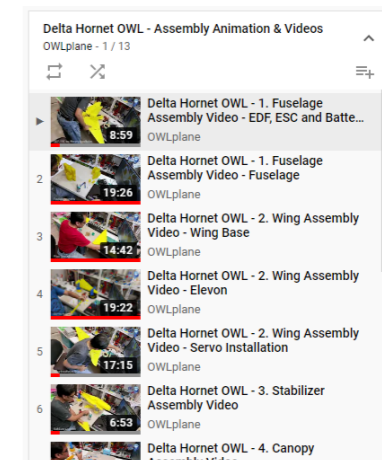
Grouped into :

1. Fuselage Drawing.
2. Wing Drawing.
3. Stabilizer Drawing.
4. Canopy Drawing.

Visit OWLplane Youtube Videos to Learn How to Assembly Delta Hornet OWL:

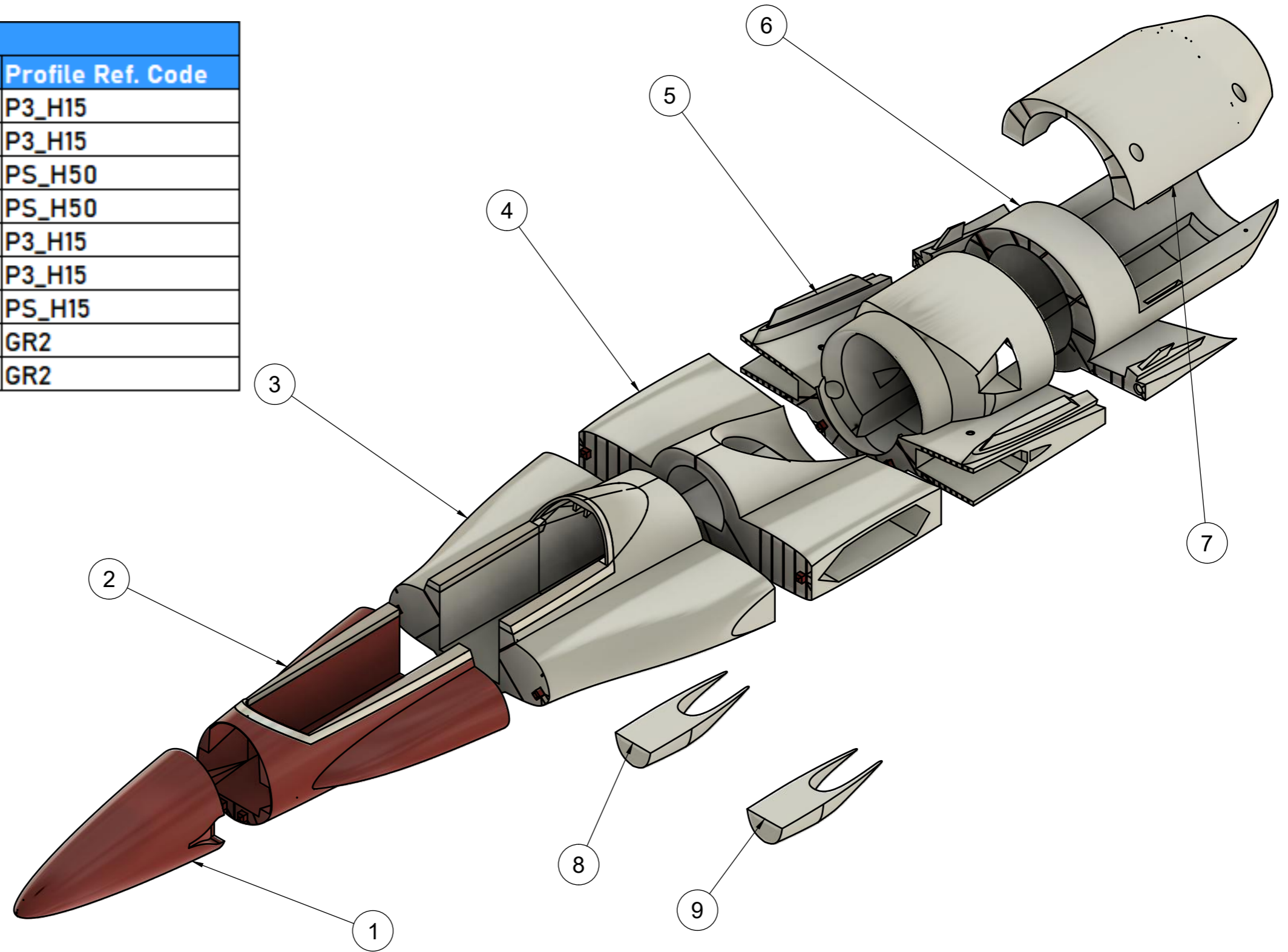
https://www.youtube.com/watch?v=K5oitf7wA4o&list=PL4MWO_AoYnxYKXKLMRonh96ZhgsegDSyJ

Visit OWLplane Animation and Assembly Web Page [by clicking here.](#)



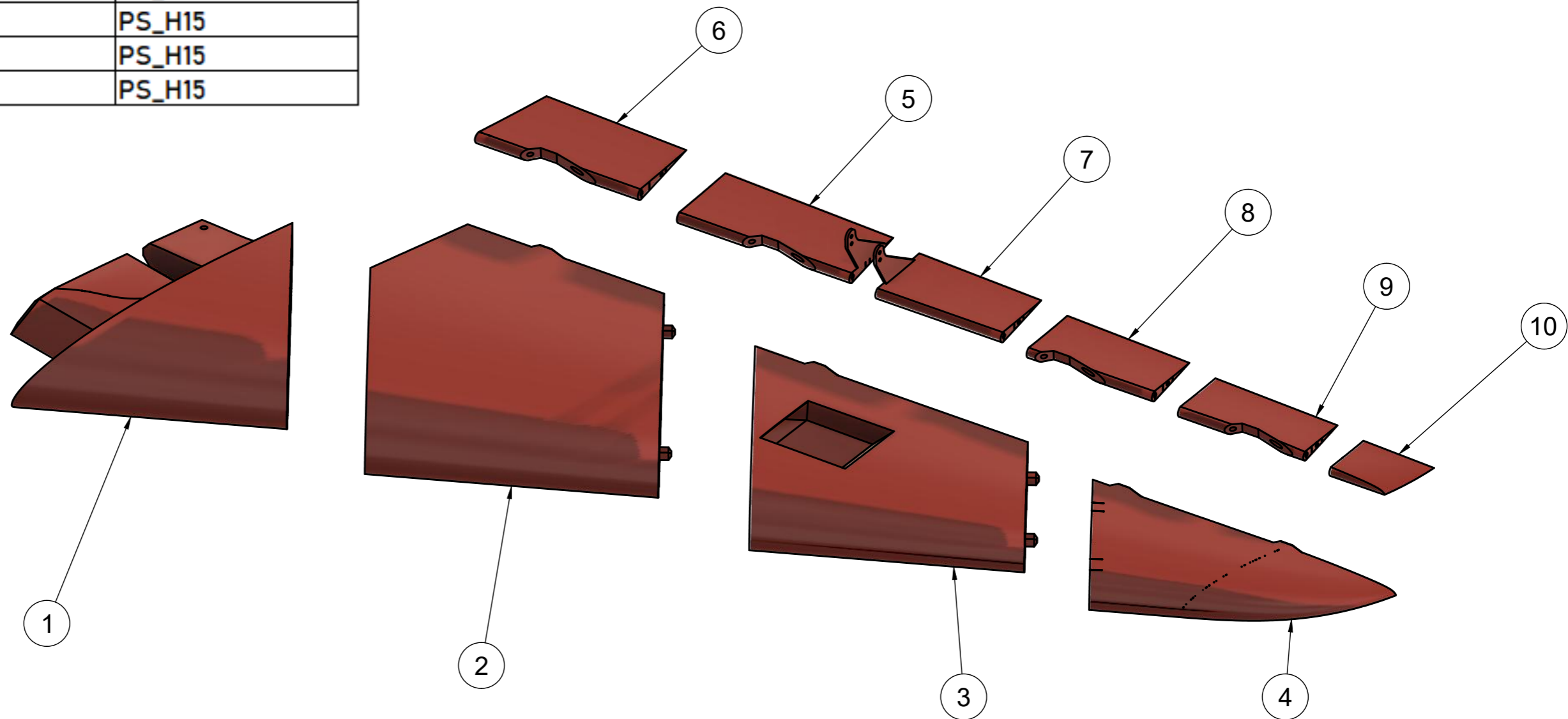
Fuselage Drawing

Parts List		
Item	Part Name	Profile Ref. Code
1	FUSELAGE-1	P3_H15
2	FUSELAGE-2	P3_H15
3	FUSELAGE-3	PS_H50
4	FUSELAGE-4	PS_H50
5	FUSELAGE-5	P3_H15
6	FUSELAGE-6	P3_H15
7	EDF-HATCH	PS_H15
8	LAUNCHER-HOLDER-R	GR2
9	LAUNCHER-HOLDER-L	GR2



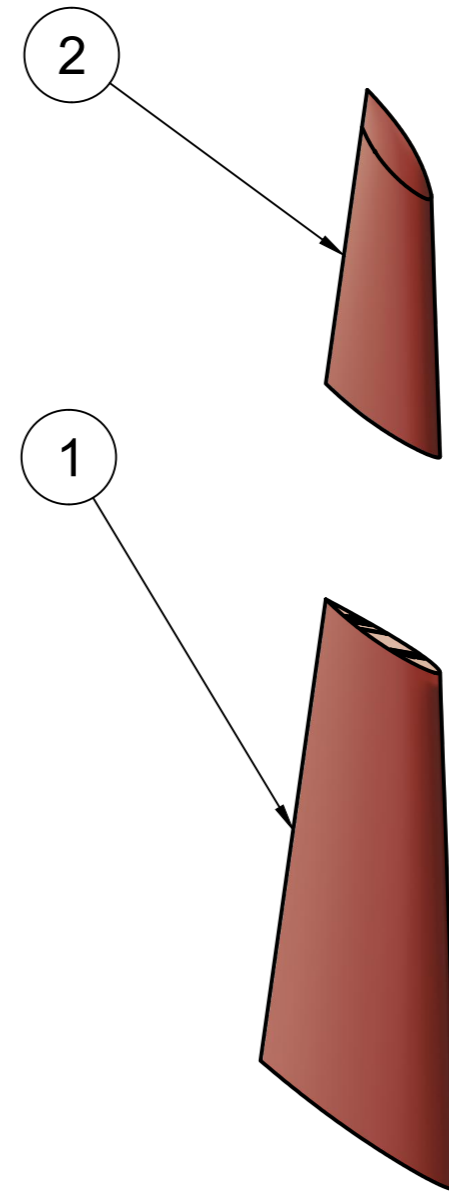
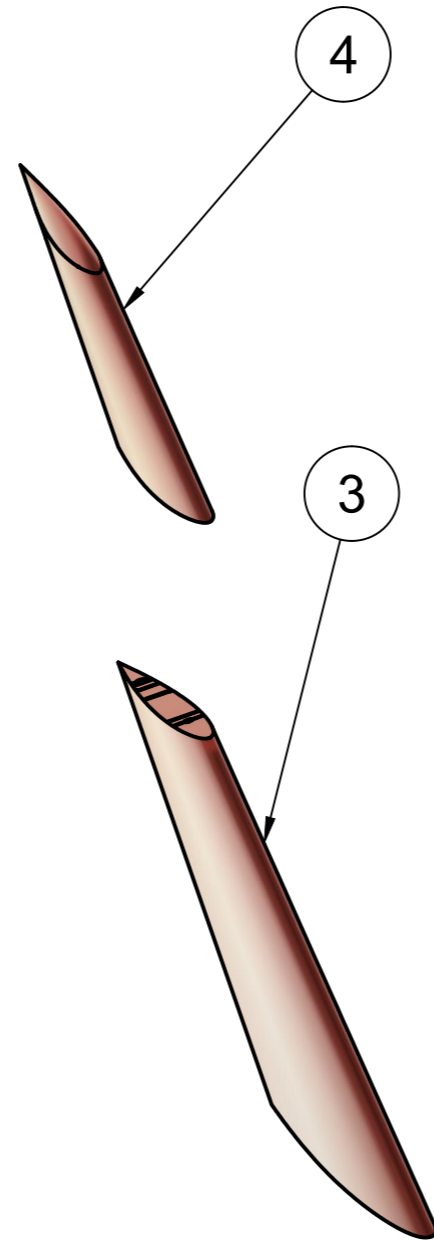
Wing Drawing

Parts List		
Item	Part Name	Profile Ref. Code
1	WING-L-1	P3_H15
2	WING-L-2	P3_H15
3	WING-L-3	P3_H15
4	WING-L-4	P3_H15
5	ELEVON-A-L-1	PS_H15
6	ELEVON-A-L-2	PS_H15
7	ELEVON-B-L-1	PS_H15
8	ELEVON-B-L-2	PS_H15
9	ELEVON-B-L-3	PS_H15
10	ELEVON-B-L-4	PS_H15



Stabilizer Drawing

Parts List		
Item	Part Name	Profile Ref. Code
1	VSTAB-L-1	P3_H15
2	VSTAB-L-2	P3_H15
3	VSTAB-R-1	P3_H15
4	VSTAB-R-2	P3_H15



Canopy Drawing

Parts List		
Item	Part Name	Profile Ref. Code
1	CANOPY-1	P3_H15
2	CANOPY-2	P3_H15
3	CANOPY-3	P3_H15
4	CANOPY-LATCH	GR2

