

# OWL MDM-1 FOX Drawing Document

## Table of Content

OWL MDM-1 Fox Drawings.....3  
 Fuselage Drawing.....4  
 Wing Drawing .....6  
 Horizontal Stabilizer Drawing .....8  
 Vertical Stabilizer Drawing .....10  
 Canopy Drawing .....12

## OWL MDM-1 Fox Drawings

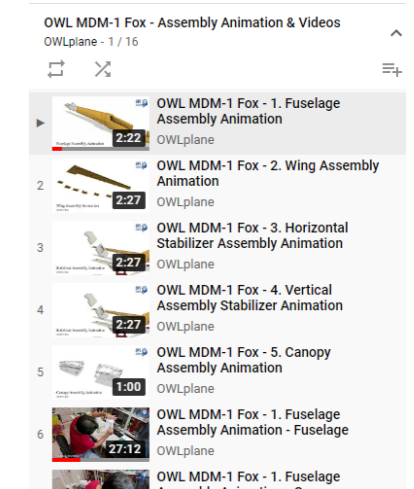
Grouped into :

1. Fuselage Drawing.
2. Wing Drawing.
3. Horizontal Stabilizer Drawing.
4. Vertical Stabilizer Drawing.
5. Canopy Drawing.

Visit OWLplane Youtube Videos to Learn How to Assembly OWL MDM-1 Fox:

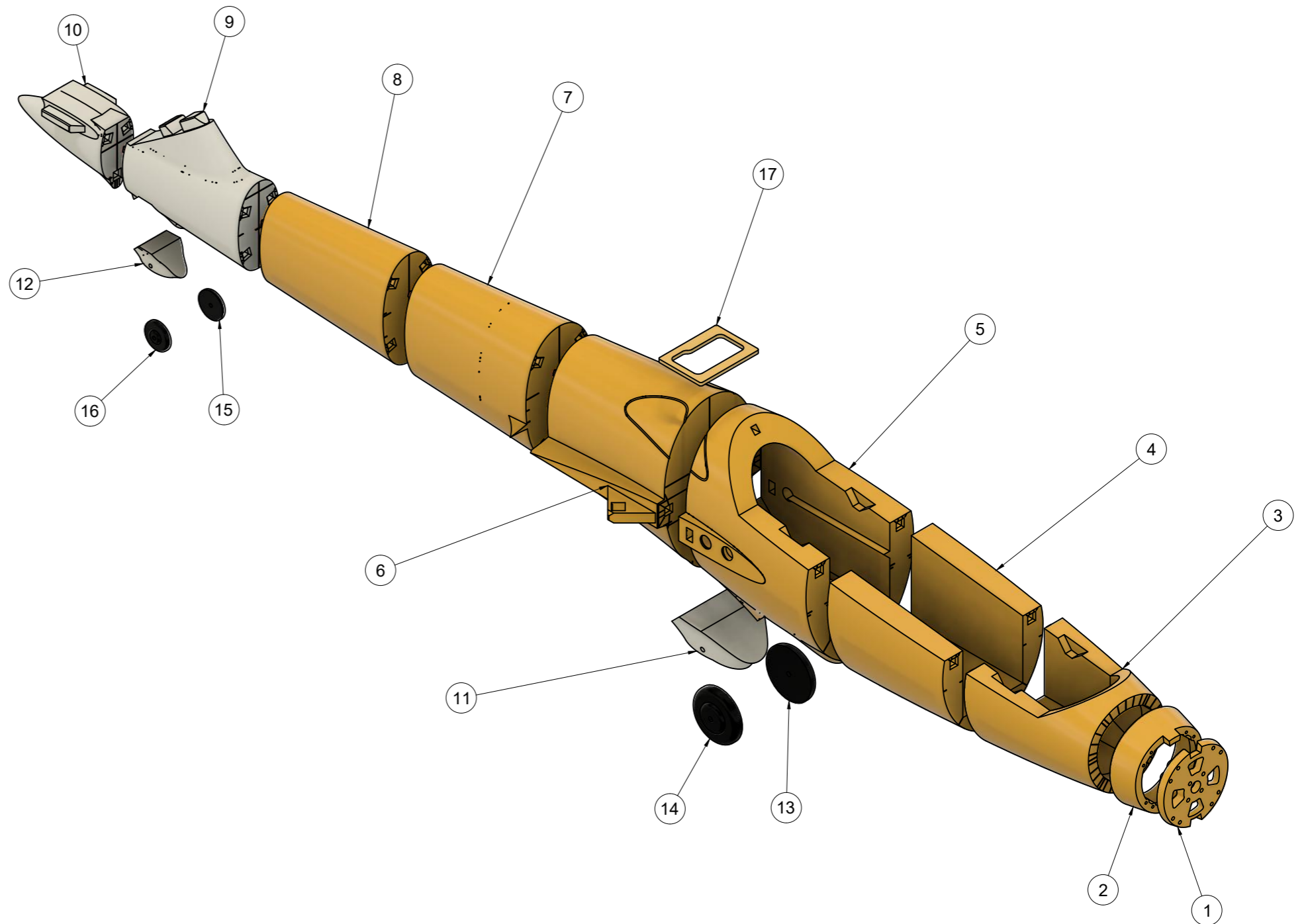
[https://www.youtube.com/watch?v=vIS4XG3II68&list=PL4MWO\\_AoYnxZxFmqod18m4mJDPuwTQKuU](https://www.youtube.com/watch?v=vIS4XG3II68&list=PL4MWO_AoYnxZxFmqod18m4mJDPuwTQKuU)

Visit OWLplane Animation and Assembly Web Page [by clicking here.](#)



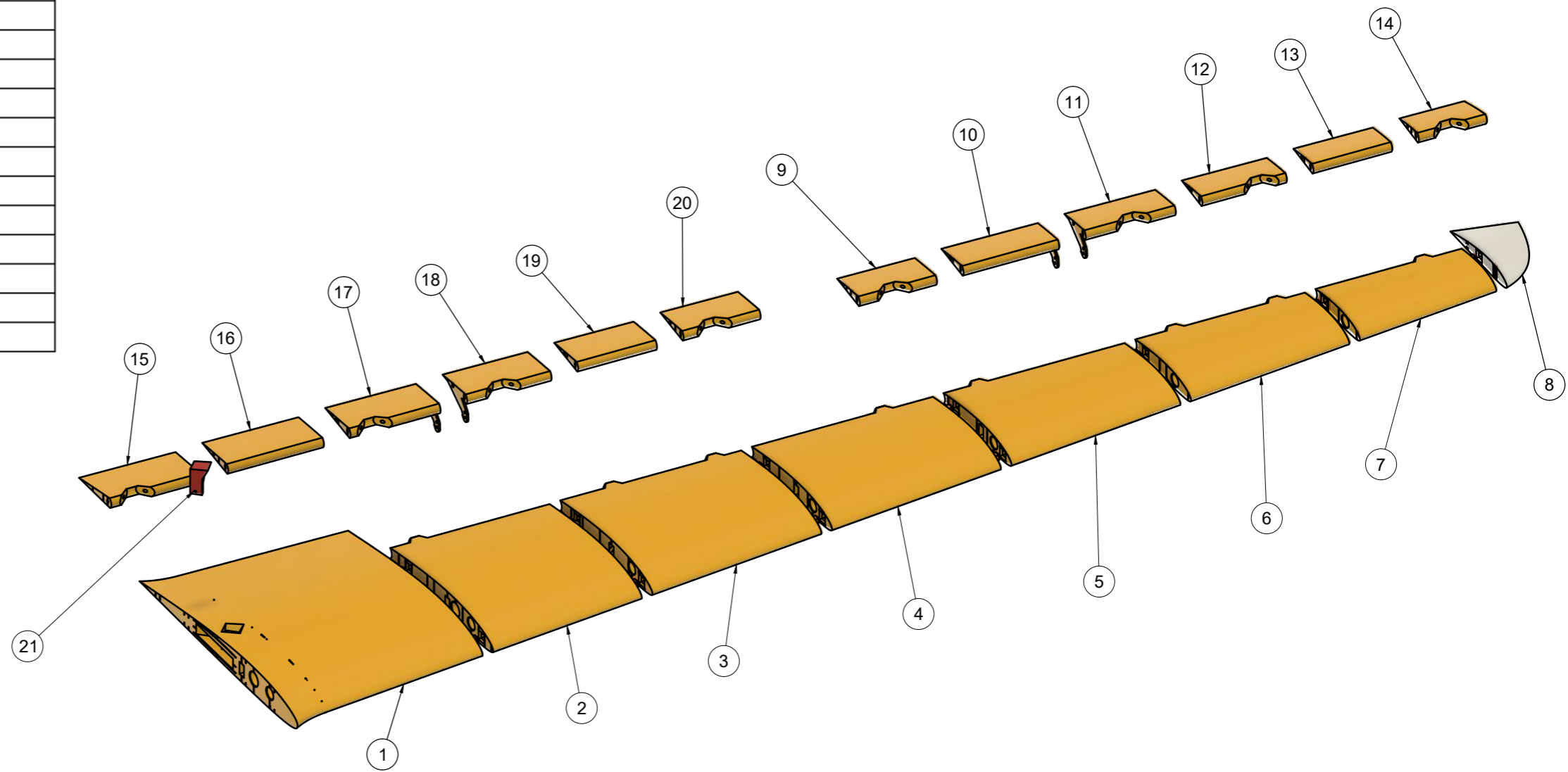
# Fuselage Drawing

Parts List		
Item	Part Name	Profile Ref. Code
1	MOTOR-MOUNT	MM
2	FUSELAGE-0	P3_H15
3	FUSELAGE-1	P3_H15
4	FUSELAGE-2	P3_H15
5	FUSELAGE-3	P3_H15
6	FUSELAGE-4	P3_H15
7	FUSELAGE-5	P3_H15
8	FUSELAGE-6	P3_H15
9	FUSELAGE-7	P3_H15
10	FUSELAGE-8	P3_H15
11	MAIN-GEAR	GR2
12	TAIL-GEAR	GR2
13	MAIN-WHEEL-L	GR3
14	MAIN-WHEEL-R	GR3
15	TAIL-WHEEL-L	GR3
16	TAIL-WHEEL-R	GR3
17	SERVO-BRIDGE	GR3



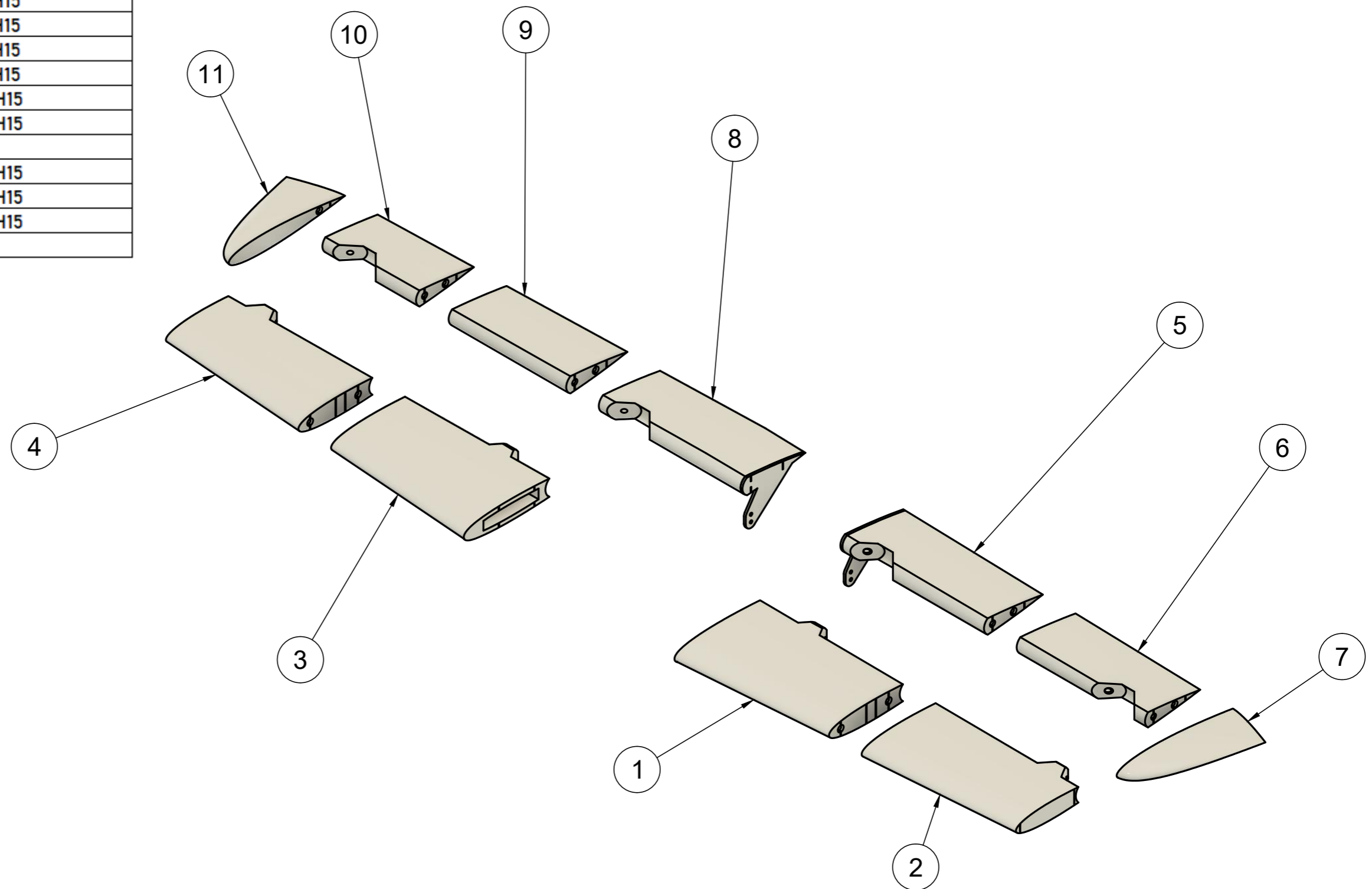
# Wing Drawing

Parts List		
Item	Part Name	Profile Ref. Code
1	WING-L-1	P3_H15
2	WING-L-2	P3_H15
3	WING-L-3	P3_H15
4	WING-L-4	P3_H15
5	WING-L-5	P3_H15
6	WING-L-6	P3_H15
7	WING-L-7	P3_H15
8	WING-L-TIP	WT
9	AILERON-L-1	PS_H15
10	AILERON-L-2	PS_H15
11	AILERON-L-3	PS_H15
12	AILERON-L-4	PS_H15
13	AILERON-L-5	PS_H15
14	AILERON-L-6	PS_H15
15	FLAP-L-1	PS_H15
16	FLAP-L-2	PS_H15
17	FLAP-L-3	PS_H15
18	FLAP-L-4	PS_H15
19	FLAP-L-5	PS_H15
20	FLAP-L-6	PS_H15
21	WING-PIN-L	GR2



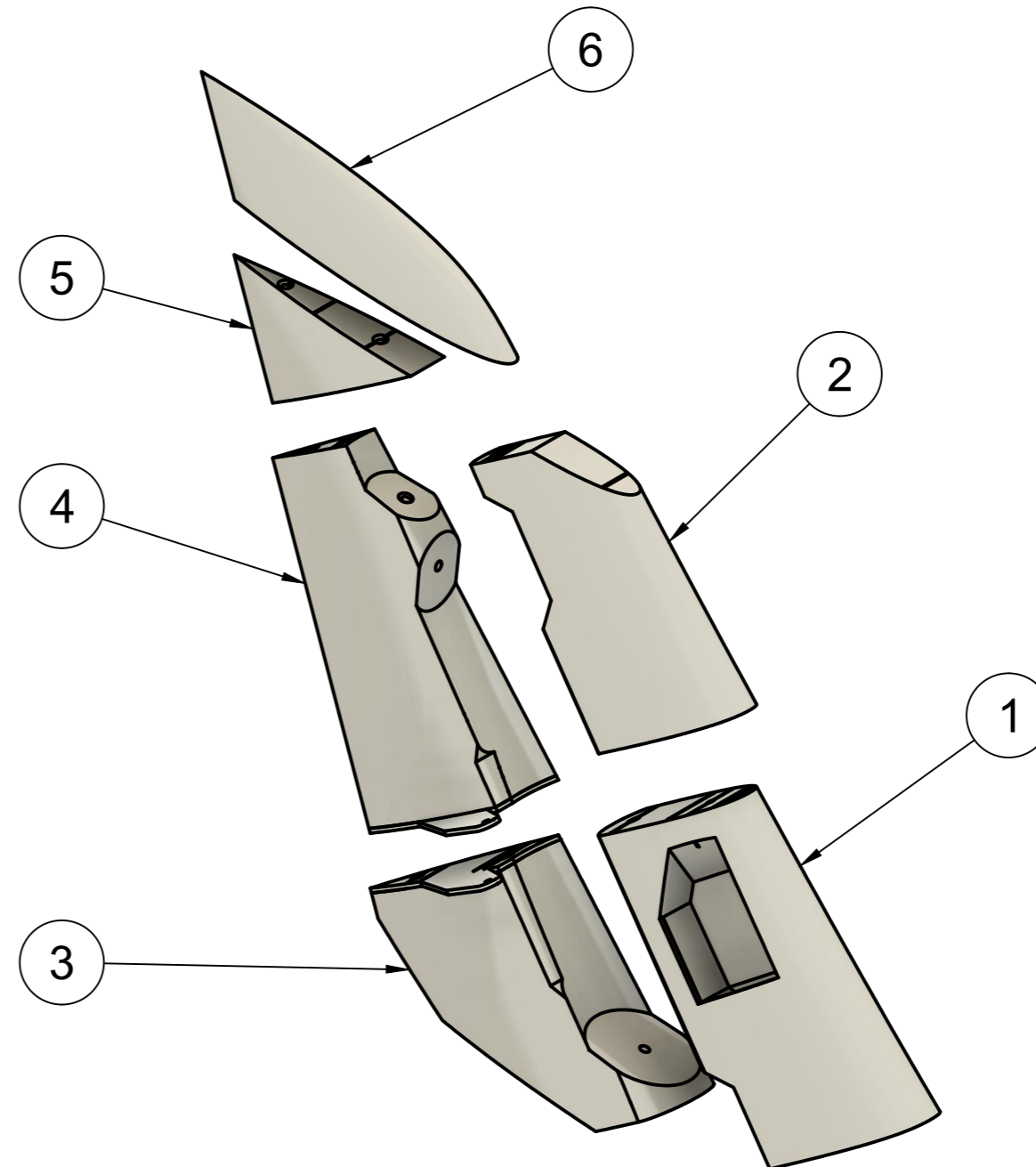
# Horizontal Stabilizer Drawing

Parts List		
Item	Part Name	Profile Ref. Code
1	HSTAB-BASE-L-1	P3_H15
2	HSTAB-BASE-L-2	P3_H15
3	HSTAB-BASE-R-1	P3_H15
4	HSTAB-BASE-R-2	P3_H15
5	HSTAB-ELEV-L-1	PS_H15
6	HSTAB-ELEV-L-2	PS_H15
7	HSTAB-ELEV-L-3	WT
8	HSTAB-ELEV-R-1	PS_H15
9	HSTAB-ELEV-R-2	PS_H15
10	HSTAB-ELEV-R-3	PS_H15
11	HSTAB-ELEV-R-4	WT



## Vertical Stabilizer Drawing

Parts List		
Item	Part Name	Profile Ref. Code
1	VSTAB-BASE-1	P3_H15
2	VSTAB-BASE-2	P3_H15
3	VSTAB-RUDDER-1	PS_H15
4	VSTAB-RUDDER-2	PS_H15
5	VSTAB-RUDDER-3	PS_H15
6	VSTAB-RUDDER-4	WT



# Canopy Drawing

Parts List		
Item	Part Name	Profile Ref. Code
1	CANOPY-1	P3_H15
2	CANOPY-2	P3_H15
3	CANOPY-3	P3_H15
4	CANOPY-LATCH	GR2

